

# MAVERICK SPOT LIGHT

TECHNICAL SHEET  
KL-SP00018

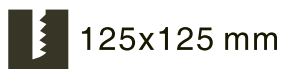
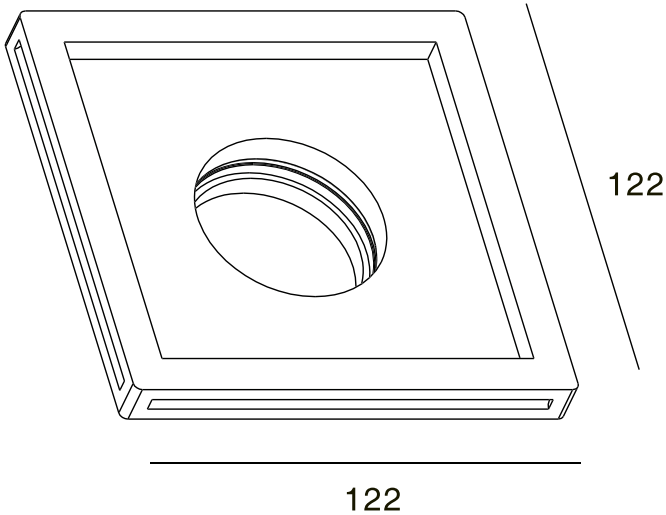


**KEYLIGHT**

SPAIN

PRODUCTOS DE ILUMINACION

## DRAWING



## SPECIFICATIONS

Product Code	KL-SP00018
Power	GU10/MR16
Input	220-240V
Material	Gypsum
Dimensions	122mm*122mm
Cut-out	125mm*125mm

